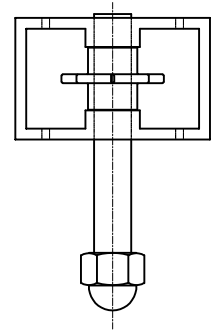
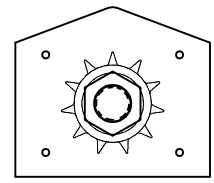
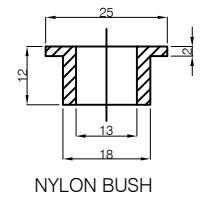
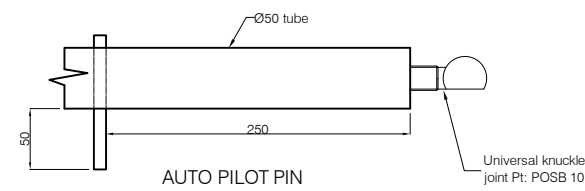
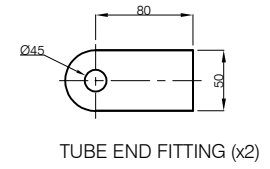
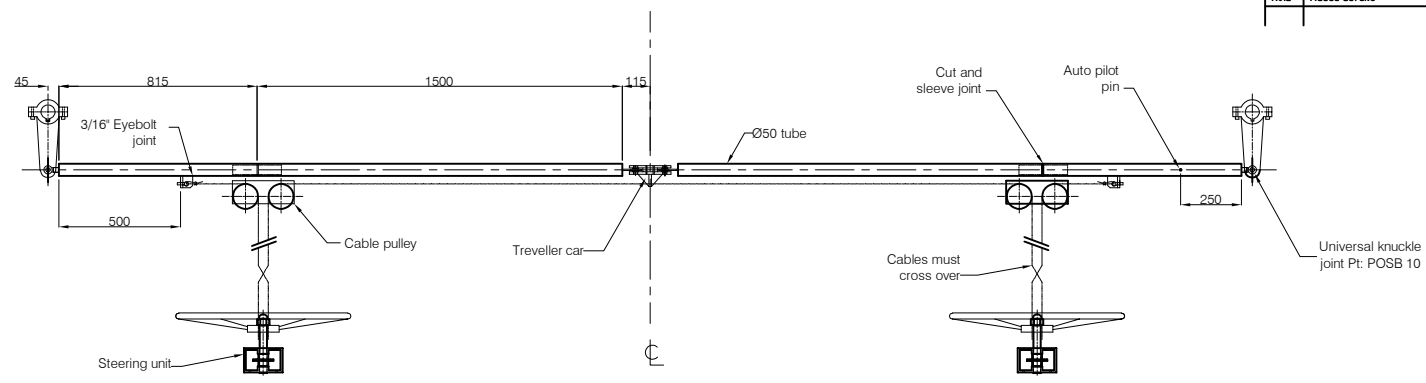
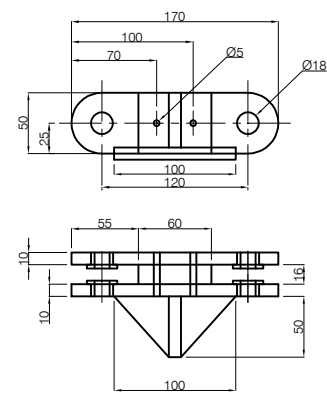


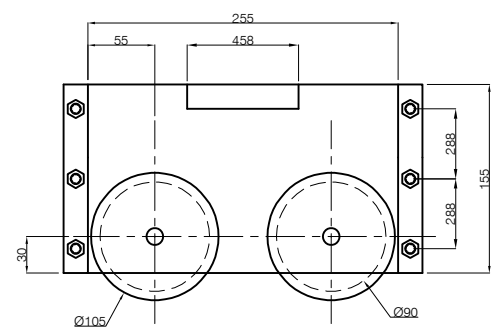
RevNo	Revision note	Date	Signature	Checked
No.1	Redrawing as build for working	24/05/2005	Raoni S.F	Mark W.
No.2	Added details	10/10/05	Raoni S.F	Mark W.



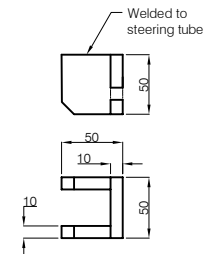
STEERING UNIT



TREVELER CAR



CABLE PULLEY



EYE BOLT JOINT BRACKET

This drawing, and the information contained here on, is supplied on the understanding that it is the exclusive property of SEAWIND Catamarans. And must not be reproduced in whole or part, without permission in writing to SEAWIND Catamarans.
P.O. Box 4 Rocks NSW 2009 Australia
Ph (61 2) 9810 1844 Fax (61 2) 9810 9040

SEAWIND 1160

Drawing Name: STEERING GEAR DETAILS AND ASSEMBLY

Vessel Name	Approved by	Checked by	Drawing By	Scale	Drawing No.	REV
SEAWIND1160	R. Waikens	Mark Walker	Raoni Franco	1:10	SW1160-03-03a	01