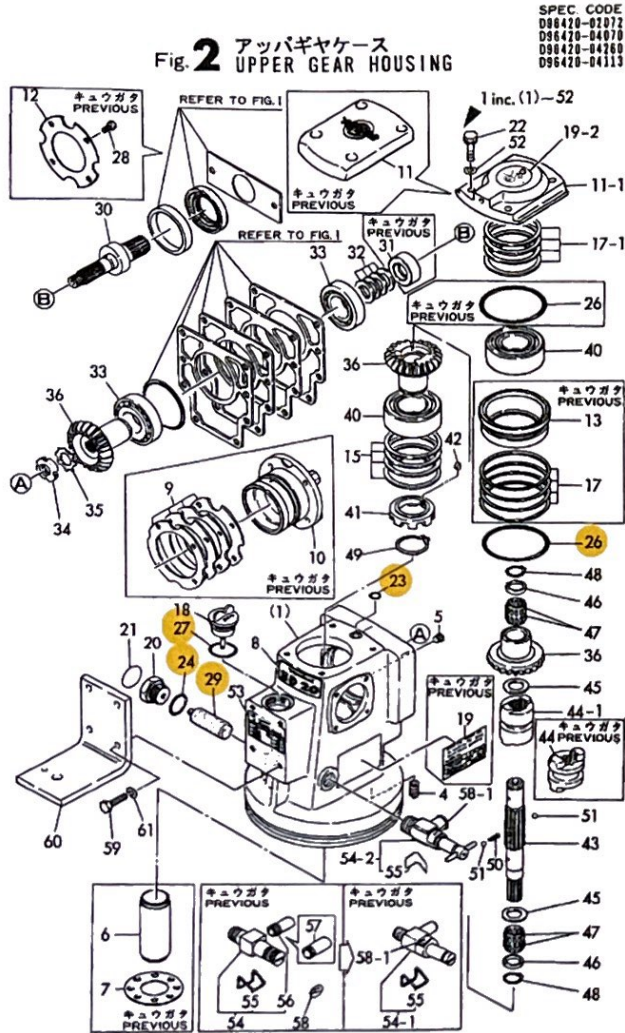


Fig.2.UPPER GEAR HOUSING



Remarks
1)OPTIONAL

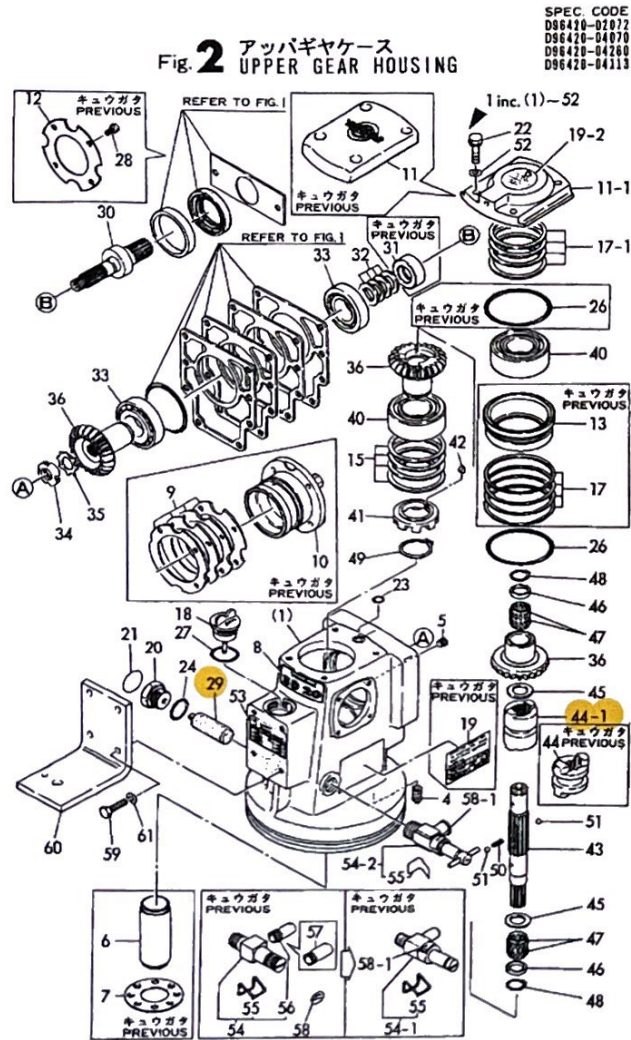
Y00F4021 2.UPPER GEAR HOUSING

(A)=SD20 (D)=
(B)=SD30 (E)=
(C)=SD31 (F)=

REF.	LEV.	PARTS NO.	DESCRIPTION	QTY						I	R
				(A)	(B)	(C)	(D)	(E)	(F)		
1	1	796420-02900	HOUSING ASSY, GEARS	1							
1-1	1	796420-02901	HOUSING ASSY, UPPER	1							S
		(A=D2129)									
4	3	196420-02050	INSEAT, LOCK	8							
5	3	196311-02080	PLUG	1							
5-1	3	23871-010000	PLUG PT1/8,SCREW	1							R
		(A=DXXX)									
6	2	196420-02030	GUIDE, OIL	1							Z
		(A=D0820)									
7	2	196420-02040	BRACKET, OIL GUID	1							Z
		(A=D0820)									
8	2	196420-02060	LABEL, NAME	1							
9	2	196311-02120	SHIM SET	1							Z
		(A=*1984.01)									
10	2	196420-02141	HOUSING, BEARING	1							Z
		(A=D0909)									
11	2	196420-02151	COVER, UPPER	1							
11-1	2	196420-02152	COVER, UPPER	1							S
		(A=D0916)									
11-2	2	196420-02153	COVER, UPPER	1							N
		(A=*1992.11)									
12	2	196311-02160	RETAINER	1							Z
		(A=*1984.01)									
13	2	196420-02160	SUPPORT, BEARING	1							Z
		(A=D0916)									
14	2	196420-02170	SPACER	1							Z
		(A=*1984.01)									
15	2	196420-02200	SHIM SET 72	1							
16	2	101158-02220	SEAL, OIL	1							Z
		(A=*1984.01)									
17	2	196420-02250	SHIM SET 82	1							
17-1	2	196420-02200	SHIM SET 72	1							N
		(A=D0916)									
18	2	196420-02350	CAP W/DIPSTICK	1							
19	2	196420-02360	LABEL, LUB OIL	1							
19-1	2	196420-02361	LABEL, LUB. OIL	1							N
		(A=DXXX)									
19-2	2	196420-02362	LABEL	1							S
		(A=D0916)									
19-3	2	196420-02363	LABEL, LUB OIL	1							N
		(A=*1992.05)									
20	2	196420-02430	PLUG M24	1							
21	2	196420-02440	LABEL, ZINC	1							
22	2	26206-080252	BOLT M8X25	4							
23	2	24311-000110	O-RING 1A P-11.0	1							
24	2	24321-000250	O-RING 1A G-25.0	1							
25	2	24321-000650	O-RING 1A G-65.0	1							Z
		(A=*1984.01)									
26	2	24321-000750	O-RING 1A G-75.0	2							
26-1	2	24321-000750	O-RING 1A G-75.0	1							K
		(A=DXXX)									
27	2	24341-000320	O-RING 1A S-32.0	1							
28	2	26016-060302	BOLT M 6X 30	4							Z
		(A=D0909)									

++ CONTINUE ++

Fig.2.UPPER GEAR HOUSING



SPEC. CODE
D86410-01072
D86420-04070
D86420-04200
D86420-04113

Remarks
1)OPTIONAL

Y00F4021 2.UPPER GEAR HOUSING

(A)=SD20
(B)=SD30
(C)=SD31
(D)=
(E)=
(F)=

REF.	LEV.	PARTS NO.	DESCRIPTION	QTY						I	R
				(A)	(B)	(C)	(D)	(E)	(F)		
29	2	27210-200550	ZINC, ANTI-CORROSIVE	1							
30	2	196420-04130	SHIFT, PINION	1							
31	2	196420-04140	COLLAR	1							Z
(A=1983.10)											
32	2	196420-04150	SHIM SET 20	1							
32-1	2	196312-04150	SHIM SET	1							N
(A=DXXX)											
33	2	24141-302060	ROLLER BEARING	2							
34	2	24211-015002	LOCK NUT M15	1							
35	2	24231-015000	WASHER 15	1							
36	2	196420-04700	GEAR ASSY, UPPER	1							
40	2	24512-052074	BALL BEARING	2							
41	2	196311-04271	PUMP, OIL	1							
42	2	196311-04280	KEY 4X13	1							
43	2	196311-04300	SHAFT, CLUTCH	1							
44	2	196420-04310	DOG CLUTCH	1							
44-1	2	196311-04310	DOG, CLUTCH	1							S
(A=D2129)											
45	2	196311-04320	COLLAR	2							
46	2	196311-04340	COLLAR	2							
47	2	196311-04350	NEEDLE BERG #K202413	4							
48	2	196311-04360	CIRCLIP	2							
48-1	2	24164-000202	CIRCLIP 20-S	2							N
(A=DXXX)											
49	2	22242-000350	CIRCLIP 35	1							
50	2	189060-26760	SPRING	1							W
(A=D2129)											
51	2	24190-080001	BALL 1/4, STEEL	2							W
(A=D2129)											
52	2	22217-080000	SPRING WASHER 8	4							
53	1	196420-02320	LABEL, ABSORBER	1							
54	1	196420-02402	COCK W/JOINT,C.WATER	1							
54-1	1	196420-02390	COCK ASSY, C. WATER	1							N
(A=DXXX)											
54-2	1	196420-02391	COCK ASSY, C. WATER	1							N
(A=D5204)											
55	2	196420-02981	SPRING	1							
56	2	196420-02991	JOINT 14	1							Z
(A=D0755)											
57	1	196420-02420	JOINT 18	1							Z 1
(A=DXXX)											
58	1	196420-02411	LABEL, C.W. COCK	1							
58-1	1	196420-02412	LABEL, C.W COCK	1							N
(A=DXXX)											
59	1	26206-080252	BOLT M8X25	4							
60	1	196420-02300	BRACKET	1							
61	1	22217-080000	SPRING WASHER 8	4							

YANMAR O-RINGS

ASSUMED Buna-N TO DURA (NBR) MATERIAL

SD20

		MM x MM	ORING STORE AVAIL	MIN ORDER	COST EA	ORDER
SMALL TOP CAP	P-11.0	N2.40 x 10.80	6671	8	.13	8
SHIFTER SHAFT	P-100	N1.90 x 9.80	4968	9	.12	9
OIL CAP	S-320	N2.00 x 31.5	1613	5	.23	5
BIL DRAIN PLUG	S-12.5	N1.50 x 012	0	12	.09	12
ZINC SEAL	G-25	310 x 24.4	66	5	.24	8
SHIFTER CAP	G-55	310 x 54.4	1647	3	.48	4
LARGE TOP CAP	G-75	310 x 74.4	522	2	.60	4
LOWER SD SEALS	G-95	310 x 94.4	0	2	.80	8 ¹²

ALL ORDERED
7/14/22

FROM
THE O-RING STORE

Fig.7.SHIFT LEVER(NEW)

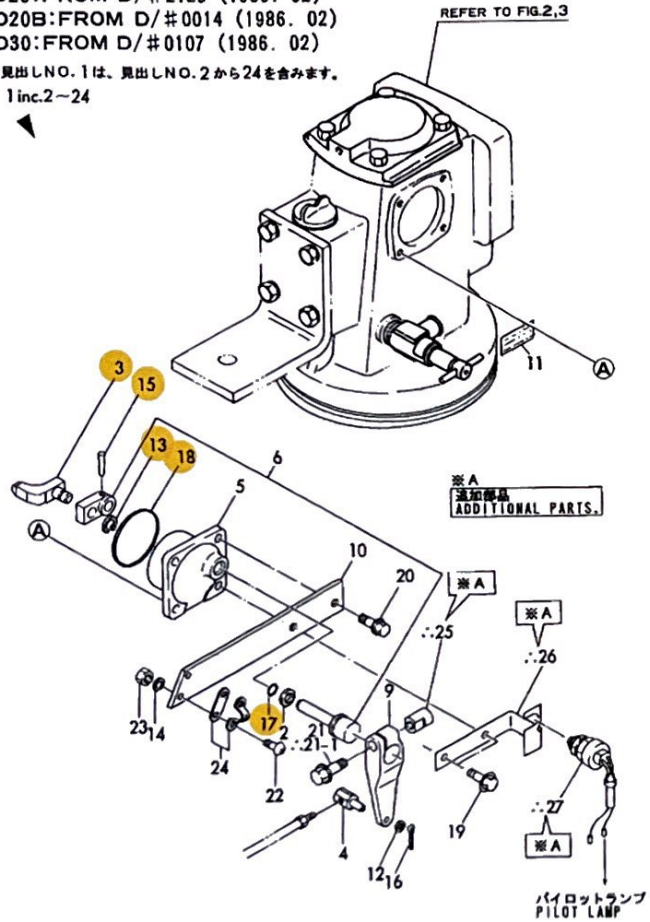
図号: Y00F4021-1
 発注年月: 1994. 5
 REVISED: Ssp., 1994

SPEC CODE
 D96420-06261
 D96420-06270

Fig.7 シフトレバー (シンガタ)
 SHIFT LEVER (NEW)

SD20:FROM D/#2129 (1986. 02)
 SD20B:FROM D/#0014 (1986. 02)
 SD30:FROM D/#0107 (1986. 02)

見出しNO. 1は、見出しNO. 2から24を含みます。
 1 inc.2~24



※A
 追加部品
 ADDITIONAL PARTS.

△印が今回変更(追加)した箇所です。
 △ MARKED PART HAS BEEN CHANGED(ADDED).

Y00F4021 7.SHIFT LEVER(NEW)

(A)=SD20 (D)=
 (B)=SD30 (E)=
 (C)=SD31 (F)=

REF.	LEV.	PARTS NO.	DESCRIPTION	QTY						I	R
				(A)	(B)	(C)	(D)	(E)	(F)		
1	1	796420-06261	SHIFT LEVER ASSY.	1	1	1					
2	2	196311-03300	WASHER	1	1	1					
3	2	196311-06080	SHIFTER	1	1	1					
4	2	177073-08200	PIVOT	1	1	1					
5	2	196420-06250	SUPPORT	1	1	1					
6	2	196420-06260	SHAFT ASSY, SHIFT	1	1	1					
9	2	196420-06280	LEVER, SHIFT	1	1	1					
10	2	196420-06290	BRACKET	1	1	1					
11	2	196420-06300	LABEL	1	1	1					
12	2	22137-060000	WASHER 6, POLISHED	1	1	1					
13	2	22242-000100	CIRCLIP 10	1	1	1					
14	2	22287-050000	WASHER 5	2	2	2					
15	2	22301-040250	TAPER PIN 4X25	1	1	1					
16	2	22417-160120	COTTER PIN 1.6X12	1	1	1					
17	2	24311-000100	O-RING 1A P-10.0	1	1	1					
18	2	24321-000550	O-RING 1A G-55.0	1	1	1					
19	2	26106-080182	BOLT M 6X 18 PLATED	2	2	2					
20	2	26106-060222	BOLT M 6X 22 PLATED	2	2	2					
21	2	26106-080252	BOLT M 8X 25 PLATED	1	1	1					
21-1	2	26106-080302	BOLT M 8X 30 PLATED	1	1	1					N
		(A=*1994.04) (B=*1994.04) (C=*1994.04)									
22	2	26557-050162	SCREW M 5X 16	2	2	2					
23	2	26716-050002	NUT M 5	2	2	2					
24	2	41710-000410	CLAMP	1	1	1					
25	1	196420-06400	SETTING, SAFETY SWMT.	1	1	1					W
		(A=*1994.04) (B=*1994.04) (C=*1994.04)									
26	1	196420-06410		1	1	1					W
		(A=*1994.04) (B=*1994.04) (C=*1994.04)									
27	1	120270-77101	SWITCH	1	1	1					W
		(A=*1994.04) (B=*1994.04) (C=*1994.04)									

SD 20 ZINCS 27210-200550

4 ✓

SHIFTER

196311-06080

1 ✓

CIRCLIP

22242-000100

4 ✓

TAPER PIN

22301-040250

2 ✓

OIL DRAIN PLUG

196420-02530

2 ✓

SEAL SPACER

196313-02600

4

CHECK ENGINE HOSE INVENTORY