



Mainsail Measurement Form

1. Maximum Foot measurement:

Please measure from the aft face of the mast to the pin on the clew shackle pulled to maximum (take photo of clew area of boom)

17' 9"

2. Maximum Luff measurement:

Hoist tape measure to maximum and measure to pin on tack shackle

47' 7"

Note. If batten car system is present, disconnect the head car from the sail and attach the halyard and the tape measure to the pin on the head car.

3. Maximum Leech measurement:

please make sure the boom is at the required height for sailing

4. Distance from back of mast to center of tack pin:

5. Distance from back of mast to reefing horns:

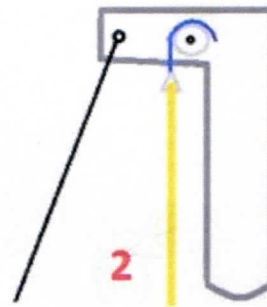
6. Distance from clew to backstay:

48' 10"

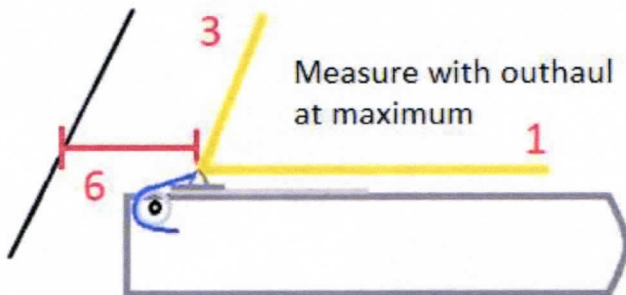
3"

2"

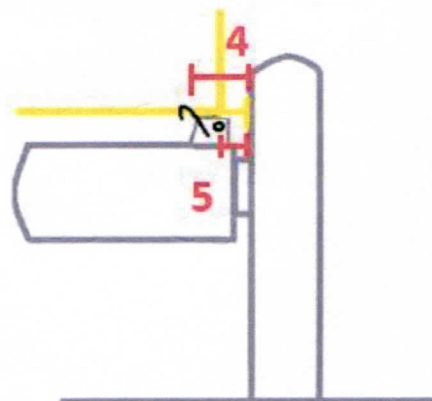
2' 4"



Measure with Halyard pulled to maximum



Measure with outhaul at maximum



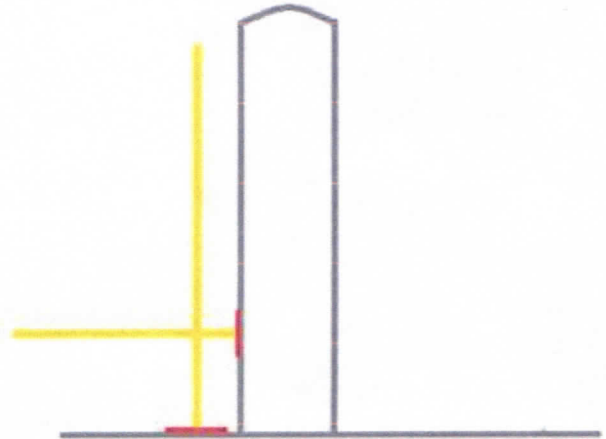
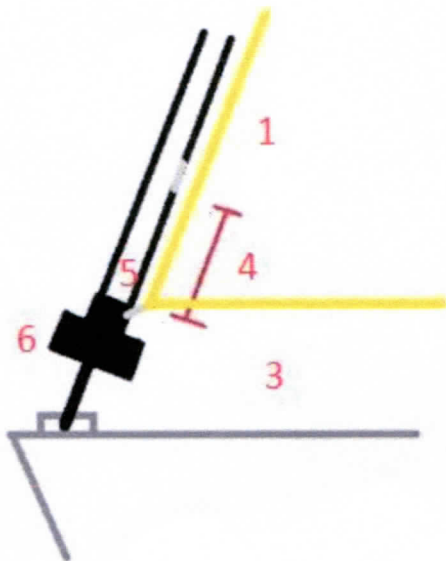
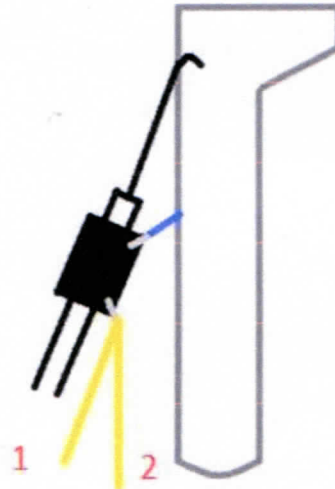


Furling Headsail Measurement Form - SELF TACKING JIB

Please measure maximum lengths and we will subtract the allowances

44' 10"
 41' 7"
 13' 0"
 2' 8"
 3/8"

1. Maximum hoist measurement from shackle on head car to shackle on furler drum with halyard pulled hard to the top:
2. I measurement from maximum hoist to deck:
3. J measurement from tack shackle to mast:
4. Distance from tack shackle to luff rope slot:
5. Distance from tack shackle held vertical to back of foil:
6. Make and model of furling unit: (please take photo)



PROFUEL



Code Zero/ Asymmetrical Spinnaker Measurement Form

Please measure maximum lengths and we will subtract the allowances

51' 9"

45' 11"

48 0

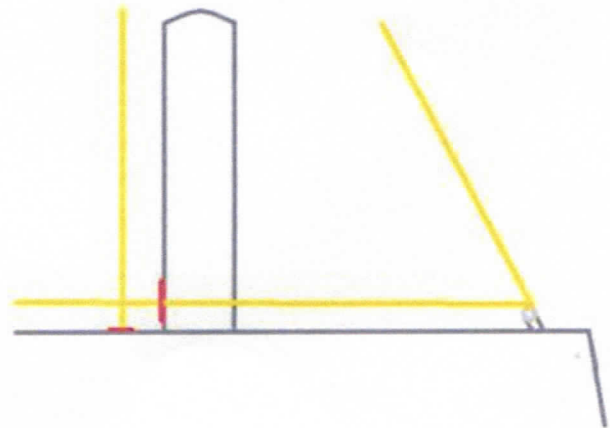
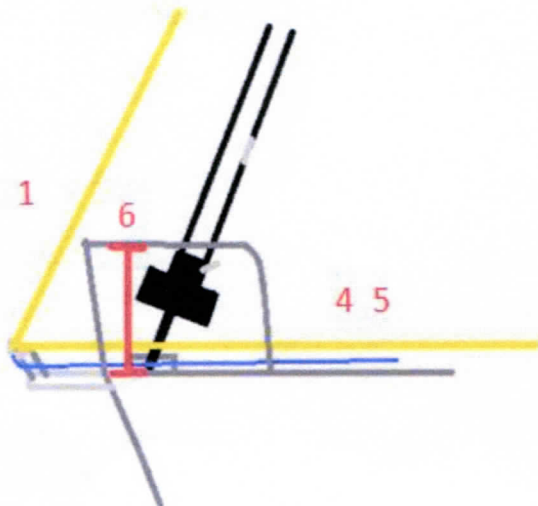
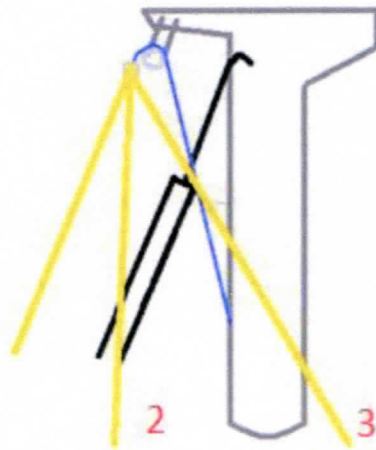
19' 10"

33' 4"

~ 2' 4"

1. Halyard maximum hoist to end of bowsprit bow attachment point
2. ISP Hoist to base of mast
3. Hoist to sheeting block
4. JSP Bow attachment point to mast
5. Bow attachment point to sheeting block
6. Bow rail height
7. Make and model of furler if applicable

or



~~Make and model of furler if applicable~~

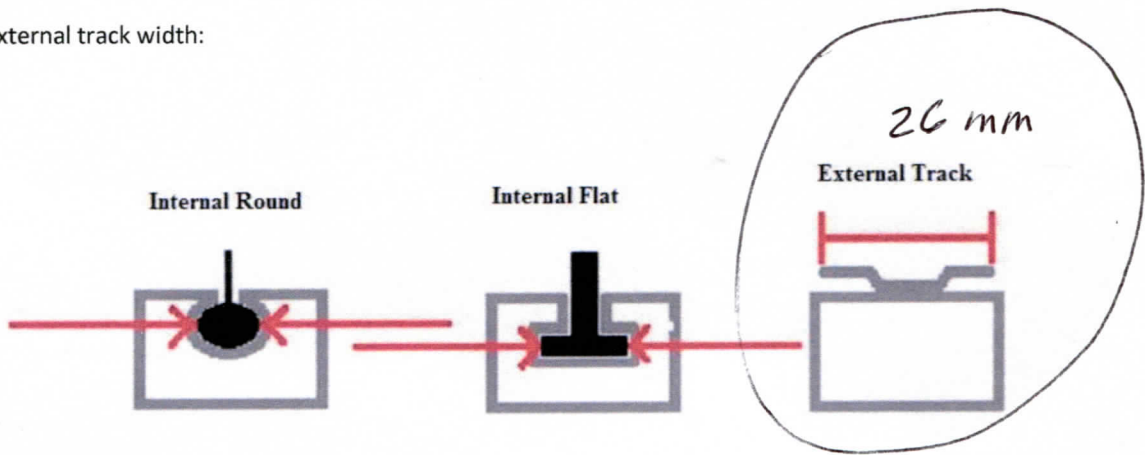
Zoom Sails

7. Luff attachment:

Internal round diameter:

Internal flat width:

External track width:



8. Photo of mast showing prebend and top crane:

Example photo



BATTEN CARS

RONSTAN 26 SERIES (?)

MAINSAIL HARDWARE

BAINBRIDGE SAILMAN
SERIES 55

10 mm ATTACH POST